

MANUAL

FOR INSTALLATION, OPERATION AND MAINTENANCE OF PELLET
BURNER SERIES BISOLID GP XX B HC>



<http://www.bisolid.eu>

CONTENT	page.
1. IMPORTANT INFORMATION ABOUT THE PELLETT BURNER OPERATION	3
1.1. SAFETY INSTRUCTIONS	3
1.2. PURPOSE OF THE PELLETT BURNER	5
1.3. FUEL	6
1.4. PELLETT BURNER DESCRIPTION	7
1.5. PELLETT BURNER OVERALL DIMENSIONS	8
1.6. PELLETT BURNER TECHNICAL DATA	9
2. INTRODUCTION	10
2.1. PELLETT BURNER GENERAL REQUIREMENTS	10
2.2. ENSURING PEOPLE AND EQUIPMENT SAFETY	11
3. OPERATION INSTRUCTIONS	11
3.1. OPERATION OF PELLETT BURNER SERIES BISOLID GP XX_B HC>	11
3.2. SAFE OPERATION OF THE PELLETT BURNER	12
4. PELLETT BURNER INITIALIZATION FOR OPERATION	13
4.1. PELLETT BURNER CHECK-UPS BEFORE INITIALIZATION FOR OPERATION	13
4.2. JOINT OPERATION OF PELLETT BURNER AND SOLID FUEL BOILER	13
5. OPERATION AND CONTROL OF PELLETT BURNER FROM BISOLID GP XX_B HC> SERIES	14
5.1. DESIGNATION OF THE PELLETT BURNER CONTROLLER	14
5.2. OPERATION OF THE PELLETT BURNER CONTROLLER	14
5.3. STARTING THE PELLETT BURNER	14
5.4. SWITCHING OFF THE PELLETT BURNER	15
5.5. BURNER CONTROL THROUGH GSM MODULE (OPTION)	15
5.6. METHODS FOR FORMING THE DESIRED TEMPERATURE	15
5.6.1. MANUAL DETERMINATION OF THE HEATING WATER ASSIGNMENT (TB SET)	15
5.6.2. DETERMINATION OF THE HEATING WATER ASSIGNMENT ON OUTSIDE TEMPERATURE THROUGH SENSOR PT1000	15
5.6.3. DETERMINATION OF THE HEATING WATER ASSIGNMENT ON ROOM TEMPERATURE THROUGH SENSOR PT1000 IN THE ROOM	16
5.6.4. DETERMINATION OF THE ASSIGNMENT FROM ROOM THERMO REGULATOR	16
5.7. TEMPERATURE AND SECURITY RESTRICTIONS	17
5.8. FRONT CONTROL PANEL OF THE PELLETT BURNER	17
5.9. OPERATION (FUNCTIONING) OF THE PELLETT BURNER CAN BE SWITCHED ON ONLY WHEN THERE IS START COMMAND ON BOTH PLACES.	19
5.9.1. USER'S SETTINGS	19
5.9.2. WEEKLY TIMER	19
5.9.3. INFORMATION ON ALARM MESSAGES	20
5.10. SERVICE SETTINGS	21
5.10.1 COMMON SETTINGS	21
5.10.2 IGNITION SETTINGS	22
5.10.3 SETTINGS IN BURN MODE	22
5.10.4 SETTINGS IN STOP MODE	23
5.11. SMS COMMANDS	23
5.12. CONNECTING THE PELLETT BURNER TO THE ELECTRICAL POWER SUPPLY	24
5.13. WARRANTY AND WARRANTY CONDITIONS	25
5.14. PELLETT BURNER PACKAGE KIT AT DELIVERY	25
5.15. PELLETT BURNER CLEANING	25
5.16. PELLETT BURNER SERVICING	27
5.16.1. BASIC AND PERIODIC CLEANING OF PELLETT BURNER	28
6. INSTALLATION INSTRUCTIONS FOR PELLETT BURNER SERIES BISOLID GP XX_B HC>	29
6.1. PELLETT BURNER INSTALLATION – COMMON INFORMATION	29
6.2. CHOOSING A PELLETT BURNER	29
6.3. POSITIONING OF THE PELLETT BURNER	30
6.4. TRANSPORTATION AND STORAGE	31
7. PELLETT BURNER WIRING DIAGRAM	32
8. TROUBLESHOOTING	33

1. IMPORTANT INFORMATION ABOUT THE PELLET BURNER OPERATION

Dear Bisolid GP xx_B hc> pellet burner owners,

We would like to congratulate you for your new pellet burner. By purchasing this quality product from the manufacturer you have chosen a system that ensures higher comfort level and optimized fuel consumption in environmentally protecting and natural resource saving way. Your pellet burner is manufactured under strict ISO 9001 standards.

On the next pages we have introduced specific information and important advices about the system operation, its functions and methods of maintenance. Please pay special attention to this manual. Good knowledge of this document content will give you the pleasure of long-term and trouble-free operation of the pellet burner.

1.1. SAFETY INSTRUCTIONS

The wood pellet burner from series Bisolid GP xx_B hc> and its accessories correspond to all applicable directions for safety techniques. Your wood pellet burner and all of its accessories operate under variable electricity 230 VAC. Improper electrical installation or repair may endanger user's life from electrical shock. Installation works must be performed only by qualified technicians.

This manual is intended for authorized service specialists only. It is important to know that:

- Works on the heating installation should be performed only by technicians who had acquired such rights by law.
- Works on the electrical installation should be performed by qualified electricians only.
- Initial operation start up including installation visual checks, adjustments and starting must be performed by the manufacturer authorized personal.

Legal provisions

While operating with the appliance please observe:

- Legal provisions for safety techniques.
- Legal provisions for environment protection.
- Provisions for proper installation.
- Applicable provisions of the European community.

Safety instructions



Danger

Please observe these safety instructions in order to prevent the people from risks and harms, as well as damage to properties and environment.

Safety instructions explanation.

Please pay attention to the following symbols in this manual:

INSTALLATION, OPERATION AND MAINTENANCE MANUAL



Danger

This symbol warns the user about health risks



Warning

This symbol warns the user about possible risks and harms to properties and environment.



Information

This symbol presents text with additional information for the user.

Works or activities for setting the appliance in proper technical working order



The current manual for operation, installation and maintenance uses notation Bisolid GP xx_B hc> includes the model of pellet burner modification GP 20_B18 hc>, GP 25_B hc> and GP 32_B hc>.



Repairs of constructional elements which functions are related to the technical safety may compromise the safely operation of the installation. Damaged or faulty elements must be replaced with genuine spare parts provided by the manufacturer.



After carefully reading of the installation and operation manual, you will acquire all necessary information about design, controls and safety operation of the pellet burner. After unpacking the pellet burner please check its completeness and delivered elements. Check whether the pellet burner size corresponds to the desired designation.

If any failures or troubles occur the pellet burner must be led out from operation and removing of the faults/troubles must be provided by specialized company. For proper functioning, safe and long-term operation of the pellet burner, a regular check ups and prophylaxis must be performed at least once per year. Such technical care guarantees your investment.

Repairs should be performed only with genuine spare parts. In case of faults or troubles caused by unqualified installation, non-compliance with the requirements or the operation manual, the manufacturer company is not responsible and does not provide warranty for the product.

1.2. PURPOSE OF THE PELLETT BURNER

Type designation of pellet burner's series: GP 20_B 18 hc>

Example	GP 20_B	18	hc
Pellet burner trade name			
Nominal heating output *, kW			
Pellet burner with hand frontal cleaning			

* Similar to other models of pellet burners GP 25_B hc> and GP 32_B hc>.

The purpose of the fully automated pellet burner series Bisolid GP xx_B hc> in combination with hot water solid fuel boilers Bisolid is for heating domestic housings with small and medium sizes. The pellet burner is very good solution for housings heated with Bisolid wood logs boilers, because the installation of the pellet burner to such hot water boiler can be performed by standard assembly kit.

The burner's main advantages as automatic ignition, automatic adjusting of the heating output (in optimization mode for operation with room thermostat) and its multifunction control panel are making its usage easy and comfortable during the heating season

The burners from series Bisolid GP xx_B hc> is designated to utilize wood pellets according to standard EN ISO 17225-2:2014, class A1 and its corresponding quality characteristics. The fuel and the air are mixed in the burner by a precisely controlled method and this is the reason for ecological burning and high efficiency.



The pellet burner's series Bisolid xx_B hc> can be mounted to the hot water solid fuel boilers with sufficiently high efficiency.

The necessary minimum time for technical servicing of the Bisolid GP xx_B hc> pellet burner, depending on the used wood pellets characteristic and quality, is once per week.

The optimum functionality of the appliance depends either on the professionally designed heating installation or its precise handling.

The main advantages of the pellet burner series Bisolid GP xx_B hc> are:

- The pellet burner's are fully automated – ignition, flame control, combustion chamber blowing. It is also equipped with intuitive LCD display for easy operation.
- Automatic adjustment of fresh air and fuel feed rates according to the selected operating temperature, which feature provides high efficiency of the appliance at minimum fuel consumption.
- Automatic modulation of the burning process decreasing the number of stops and ignitions, respectively fuel and electricity consumption.

INSTALLATION, OPERATION AND MAINTENANCE MANUAL

- Manually mechanical cleaning of the fire-grate, through leverage without opening the boiler and without interruption of the operation.
- Circulations pump control according to heat carrier (water) temperature.
- Quiet operation and low electric power consumption.
- Protection from back-fire and from heat carrier (water) freezing.
- Circulations pump protection against blocking.
- Possibility for control of extractor (flue gas) fan.
- Possibility for operation with room thermostat and week programmer.

1.3. FUEL

The pellet burner series Bisolid GP xx_B> are able to utilize wood pellets according to standard EN ISO 17225-2:2014, class A1 with the following characteristics (Table 1.):

Table 1. Standard for wood pellets EN ISO 17225-2:2014

PARAMETER	MEASURE	Class A1	Class A2	Class B
Length (L)	mm	$3,15 \leq L \leq 40$	$3,15 \leq L \leq 40$	$3,15 \leq L \leq 40$
Diameter (D)	mm	6 ± 1 8 ± 1	6 ± 1 8 ± 1	6 ± 1 8 ± 1
Moisture (M)	%	< 10	< 10	< 10
Ash (A), dry	%	< 0,7	< 1,2	< 2,0
Buck density (BD)	kg/m ³	> 600	> 600	> 600
Mechanical durability (DU)	%	> 97.5	> 97.5	> 96.5
Net caloricity (Q)	MJ/kg kWh/kg	> 16,5 > 4.6	> 16,5 > 4.6	> 16,5 > 4.6
Chlorine Cl	%	< 0,02	< 0,02	< 0,03
Nitrogen (N)	%	< 0,3	< 0,5	< 1,0
Sulphur (S)	%	< 0,04	< 0,05	< 0,05
Arsenic (As)	mg/kg	< 1	< 1	< 1
Cadmium (Cd)	mg/kg	< 0.5	< 0.5	< 0.5
Chromium (Cr)	mg/kg	< 10	< 10	< 10
Copper (Cu)	mg/kg	< 10	< 10	< 10
Lead (Pb)	mg/kg	< 10	< 10	< 10
Mercury (Hg)	mg/kg	< 0.1	< 0.1	< 0.1
Nickel (Ni)	mg/kg	< 10	< 10	< 10
Zinc (Zn)	mg/kg	< 100	< 100	< 100

Wood pellets must be stored in dry premises, so they can be transported without problems and also in order to achieve trouble-free operation with optimum combustion and maximum efficiency.



The pellet burner series Bisolid GP xx_B hc>> is designated for burning only approved by its manufacturer fuel types.

1.4. PELLET BURNER DESCRIPTION

The pellet burner series Bisolid GP xx_B hc> is with steel made construction and is designed on the principle of feeding the wood pellets through a transport auger, then through flexible pipe over the burner's combustion chamber fire-grate, where the process of burning of the fuel and the oxidizer (air for firing) is achieved.

The burner operation is automatic, including: initial loading dose of fuel, ignition, run, combustion, parameters monitoring of the combustion process, controlled stops at the water temperature reaching and (or) signal from the room thermostat, final blow. In the optimization mode, at the operation with the room thermostat is carried optimized modulation based on the thermal characteristics of the site.

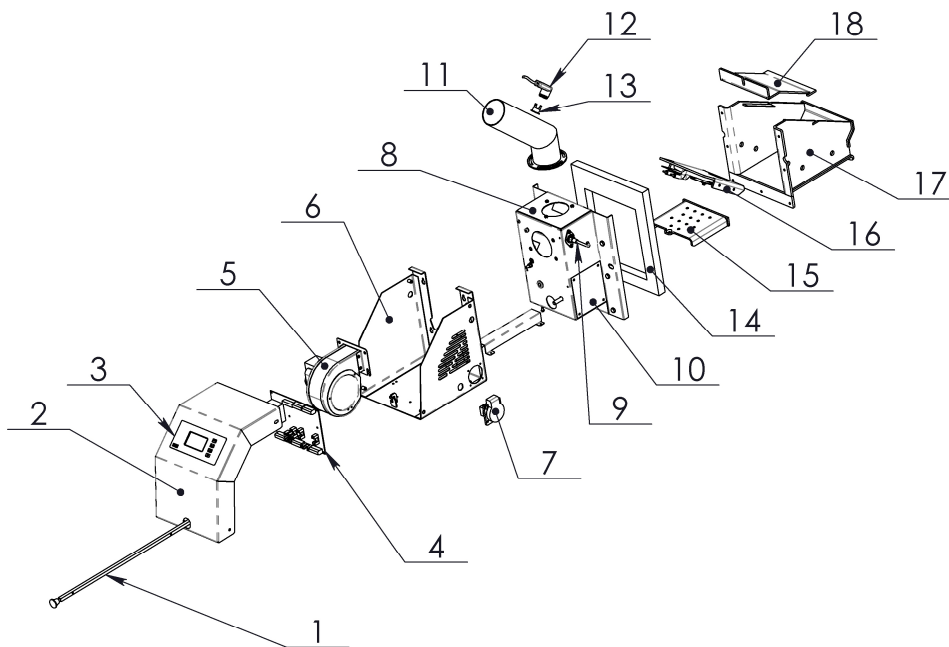
The pellet burner is equipped with display panel which shows information for the burner's current operation parameters and/or for adjustment of its operating parameters.



The current manual for operation, installation and maintenance uses notation Bisolid GP xx_B hc> includes the model of pellet burner modification GP 20_B18 hc>, GP 25_B hc> and GP 32_B hc>.

The main components of wood pellet burner series Bisolid GP xx_B hc> are presented in Figure 1.

Figure 1. Main components of the pellet burner



- 1. Cleaning device
- 2. Main module cover panel
- 3. Front panel – intuitive LCD display
- 4. Main control board
- 5. Fresh air fan

- 6. Main module housing
- 7. Plug for feeding and control of transport auger
- 8. Air box
- 9. Photosensor

- 10. Cover for main cleaning
- 11. Pellets feeding pipe
- 12. Couplung
- 13. Thermal switch
- 14. Isolation
- 15. Fire-grate
- 16. Igniter
- 17. Combustion chamber
- 18. Combustion chamber cover

1.5. PELLET BURNER OVERALL DIMENSIONS

The overall dimensions of pellet burner series Bisolid GP xx_B hc> are presented in Figure 2 and Figure 3.

Figure 2. Overall dimensions of the pellet burner

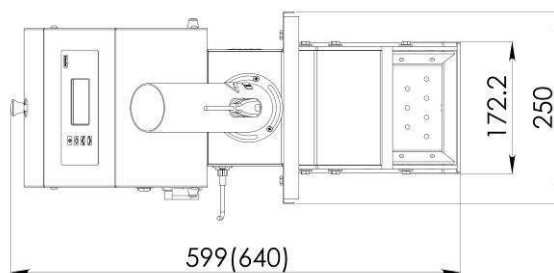
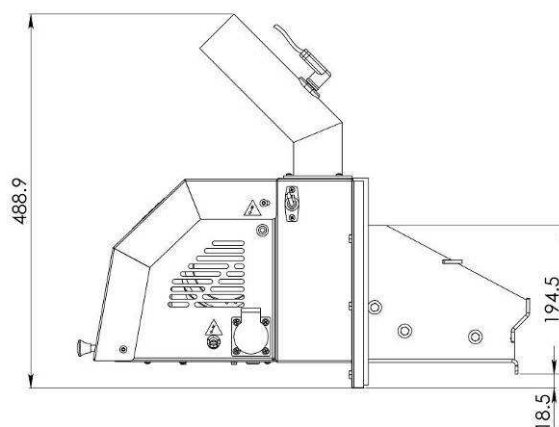


Figure 3. Overall dimensions of the pellet burner





The dimension presented in brackets in Figure 3 concerns the length of pellet burner GP 32_B hc>.

1.6. PELLET BURNER TECHNICAL DATA

Table 2. Technical data for pellet burner series Bisolid GP xx_B hc>

DESCRIPTION	DIMENSION	VALUE		
		GP 20_B18 hc>	GP 25_B hc>	GP 32_B hc>
Fuel	-	Wood pellets		
Wood pellets category according to standard EN ISO 17225-2:2014	-	A1		
Nominal heating output	kW	18	25	32
Heating output range (performed by authorized servicing technician)	kW	5-18	7-25	10-32
Pellet burner size: wide x height x length (W x H x L)	mm	250x488x599	250x488x599	250x488x640
Pellets transport auger size: wide x length x height (W x L x H)	mm	184 x 1520 x 107		
Voltage	VAC, Hz	230, 50		
Electrical consumption (with ignition)	W	100 (+1200 at ignition)		
Degree of electrical protection	-	IP 20		
Burner net weight	kg	16.9	16.9	17.1
Transport auger net weight	kg	8.5	8.5	8.5

2. INTRODUCTION

2.1. PELLET BURNER GENERAL REQUIREMENTS

The pellet burner series Bisolid GP xx_B hc> and its accompanying equipment must be installed and used in accordance to the designed heating installation, all applicable legal norms, technical standards and manufacturer instructions. The pellet burner should be used only for the subscribed purposes.

The pellet burner must be installed only for the purposes for which is designed. If the pellet burner is delivered and installed to the customer by the same person, then the whole accompanying documentation must be provided as well (especially the user manual book). The pellet burner's genuine package should be kept until its initial operation start up, in case it should be transported again.

After installation the pellet burner operation must be initiated by service organization, authorized by the manufacturer.

The pellet burner corresponds to the applicable EU legal provisions. If the pellet burner should be used in countries outside the EU, all deviations from local laws and legal provisions must be identified and corrected.

In case of faults in the pellet burner please contact a servicing organization, authorized by the manufacturer. Every incompetent intervention might damage the pellet burner (and possibly the accompanying equipment).

The servicing technician initializing the pellet burner start up for first time must show the customer all of its main components and modules, and also how to operate it. The technician must present the pellet burner's safety elements and signalization, and respectively the relevant user reaction. If the pellet burner is delivered and installed to the customer by the same person, then he must ensure that its genuine package is kept, in case the burner should be transported again.

Please check the delivery of the pellet burner standard accompanying equipment.

Please check if the delivered model and type of the pellet burner corresponds to the usage requirements.

If you are not sure how to manage the pellet burner, please carefully read the relevant instructions in this manual for operation and installation, and respectively continue as prescribed.

Please never take/stick off or damage the marks and signs on the pellet burner and the fuel transport auger. Please keep the burner genuine package until its initialization to operation, in case it should be transported again.

If doing a repair, you must always use genuine spare parts only!

It is forbidden to make any changes to the internal installation of the pellet burner and fuel transport auger or to change anything in any way.

At the end of the pellet burner's life cycle, it should be packed together with its parts and disposed in an environmentally safe way.

The manufacture company is not responsible for damage or harms caused by non-compliance with:

- Terms and conditions stated in this manual for operation and installation.
- Applicable standards and legal provisions.
- Procedures for installation and operation.
- Terms and conditions presented in the product warranty card.



Switch off the pellet burner every time when there is any (even momentary) danger by the presence of flammable or explosive vapors situated in the same room from which the burner intakes air for burning (for example painting paint spraying or laying moltening substances, gas leakage, etc.).

2.2. ENSURING PEOPLE AND EQUIPMENT SAFETY

The wood pellet burner and all of its parts are in compliance with the safety requirements of the relevant EU legal regulations.

In order to install and operate the pellet burner in real-time conditions and in compliance with its usage designation (stated below only as usage), is necessary also to observe the additional requirements, as most important of them (those that should not be missed) are presented in the relevant regulation documents. In addition to the above mentioned documents for the usage of the pellet burner it is also necessary to comply with this operation and installation manual and the product accompanying documentation supplied by the manufacture company.

Any intervention over the pellet burner's operation from children and persons under the influence of narcotic substances, psychiatric abnormalities and etc., must be prevented.

3. OPERATION INSTRUCTIONS

3.1. OPERATION OF PELLET BURNER SERIES BISOLID GP XX_B HC>

The pellet burner series Bisolid GP xx_B hc> must be handled only by adult people, which have been already introduced to the burner operation and its proper handling. The people operating the pellet burner must strictly comply with the installation and operation manual and they have rights only to:

- Clean the burner.
- Fill up the transport auger with fuel.
- Clean the photo-sensor periodically.
- Adjust the water temperature (operation without optimization with room thermostat).
- Change the optimization time (operation with room thermostat).
- Check photo-sensor lightness. Do not change its settings.
- Check for presence of alarm messages.
- Check and adjust temperature for start of water circulations pump.

- Switch on or off the pellet burner. It is recommended to do it by the key Start, located on the boiler's control panel.
- Check the pellet burner condition.

After initializing the pellet burner into operation the servicing technician is obligated to introduce the user with the operation and maintenance of the appliance. Attendance of children without supervision near the pellet burner is not allowed. Any interventions or activities over the burner construction that may endanger the life or health of the handling or attending personal are strictly forbidden.

Usage of flammable liquids for easier firing as well as any activities related to increase of the pellet burner's nominal heating output (overloading) are strictly forbidden. Positioning of flammable objects near the burner is also not allowed.



In case of danger from penetration of flammable vapors or gasses in the boiler room or any activities that may lead to fire or explosion (gluing the flooring, varnishing with flammable paints or others), the pellet burner must be led out of operation before starting any of these activities.

3.2. SAFE OPERATION OF THE PELLETT BURNER

All safety prescriptions must be observed when the pellet burner series Bisolid GP xx_B hc> is operating. The pellet burner must not be used for any other purposes except the ones introduced in this operation manual.

The surface of the pellet burner should be cleaned only with standard inflammable cleaners. Positioning of objects made of flammable materials over or near the pellet burner, at shorter than the safe distance is not allowed.

It is not allowed to store flammable materials (wood, paper, oil and other flammables) in the same room, where the pellet burner and the boiler are situated.

The recommended safe distance between the boiler, with installed pellet burner series Bisolid GP xx_B hc>, and the fuel must be minimum 1000 mm.

The minimum allowed distance between the pellet burner's outer parts and easy or medium flammable materials, also including fuel, must be at least 400 mm.

Removal of the ash remainings from the burner should be performed by taking out the combustion chamber fire-grate. The fire-grate, where the ash deposits gather, must be emptied on time, before its complete filling. All activities related to removal of the ash from the pellet burner should be performed after cooling of the fire-grate, as the usage of metal pliers is strongly suggested. Please also use protection gloves as a safety measure.



When installing the pellet burner and the elements for safety and control please do not forget that all installation works must comply with the safety labor principles. If a pellet burner or fuel transport auger component replacement is necessary, please use the recommended elements. In case of using any other type of component you should ask the manufacturer company first. The pellet burner and fuel transport auger functionality must be checked by authorized servicing specialist once per year.

4. PELLET BURNER INITIALIZATION FOR OPERATION

4.1. PELLET BURNER CHECK-UPS BEFORE INITIALIZATION FOR OPERATION

Before initializing the pellet burner for operation the servicing technician must check:

- If the pellet burner series Bisolid GP xx_B hc> is going to be installed on a solid fuel Bisolid hot water boiler.
- If the installation, including the hot water boiler, complies with the project.
- If the wood pellets correspond to standard EN ISO 17225-2:2014, class A1.
- Electrical supply functionality and working order.



The service technician must train the consumer how to operate and manage the pellet burner and also to fill in the exact start of operation date in the warranty card of the product.

4.2. JOINT OPERATION OF PELLET BURNER AND SOLID FUEL BOILER

The pellet burner series Bisolid GP xx_B hc> is allowed for installation only to hot water boilers approved by its manufacturer.

The possibility for parallel operation of solid fuel hot water boiler with automated pellet burner from series Bisolid GP xx_B hc> is based on the fact that the burner manufacturer has performed multifunctional and precise tests and measurements over the pellet burner operation with certain type of hot water boilers. Assembly of the pellet burner to a hot water boiler must be performed with the appropriate installation kit.



The pellet burner's series Bisolid xx_B hc> can be mounted to the hot water solid fuel boilers with sufficiently high efficiency.

5. OPERATION AND CONTROL OF PELLET BURNER FROM BISOLID GP XX_B HC> SERIES

5.1. DESIGNATION OF THE PELLET BURNER CONTROLLER

The controller is designated to provide automatic control of the combustion process and adjustment of the pellet burner's heating output, depending on the building and premises heating needs.

5.2. OPERATION OF THE PELLET BURNER CONTROLLER

The device can control the following system modules:

- Fuel transport auger.
- Fresh air and extraction fans.
- Electrical heating element for ignition of the pellets.
- Cleaner element for ash cleaning.
- Circulations pump for the boiler.

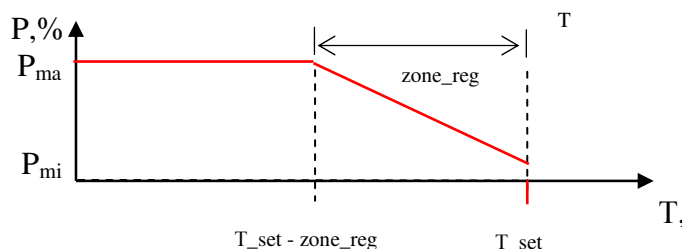


At primary switch on, as well as when switching the power supply off, the burner goes through stop procedure.

5.3. STARTING THE PELLET BURNER

When missing stop signal or in case of emergency situation and there is difference between the adjusted and the measured temperature from the **To** sensor, then the burner starting procedure initiates. The initial fuel doze is loaded and the ignition switches on. After establishing the presence of flame the burner heating output increases. When the modulation zone „Zone_reg” has been reached the burner heating output decreases (there is service parameter for adjustment) and when the desired temperature has been reached the burner operates at its minimum heating output. When higher than the adjusted temperature has been reached, the system responds with stop procedure.

When the burner is in the modulation mode and therefore the power is reduced with a decrease in temperature in the automatic way the power is increased.



5.4. SWITCHING OFF THE PELLET BURNER

In presence of stop signal, emergency situation or measured temperature above the adjusted, system stop procedure initiates. It is next followed by ventilation time, during which the combustion chamber cools down and the remaining ash over the fire-grate is being blown out.

5.5. BURNER CONTROL THROUGH GSM MODULE (OPTION)

The control of the burner through GSM module is done by sending SMS commands. There is an opportunity to stop, start and review the current status. (See section "SMS commands").

5.6. METHODS FOR FORMING THE DESIRED TEMPERATURE

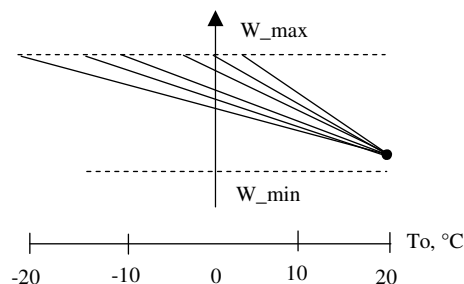
5.6.1. MANUAL DETERMINATION OF THE HEATING WATER ASSIGNMENT (T_b set)

In this case, the assignment is independent of other factors such as inside temperature and the room temperature and the value is selected to maintain. (See section "Service Settings").

5.6.2. DETERMINATION OF THE HEATING WATER ASSIGNMENT ON OUTSIDE TEMPERATURE THROUGH SENSOR Pt1000

Choice of temperature region.

With the choice of region is determined the curve in which will change the assignment for heating water depending on the change in outside temperature. All curves have a common point at an outside temperature of + 20 ° C, which corresponds to the minimum assignment for the heating water.



5.6.3. DETERMINATION OF THE HEATING WATER ASSIGNMENT ON ROOM TEMPERATURE THROUGH SENSOR Pt1000 IN THE ROOM

In this case is adjusted the desired temperature in the room and according to its value is determined the heating water temperature.

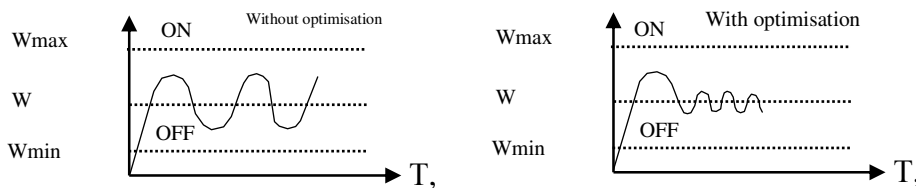
5.6.4. DETERMINATION OF THE ASSIGNMENT FROM ROOM THERMO REGULATOR



This method is applicable only if is operating with contact room thermostats with "independent output" (See section "Service Settings").

Time for optimisation.

Using of time for optimisation allows to reducing fluctuations in the assignment of the hot water, which leads to a better control of the hot water. It can choose from 0 to 60 min, in increments of 5 minutes. (See section "User settings").



When there are switches on and off from the room regulator and it operates without optimization (0), the heating water adjustment becomes:

- At start - maximum.
- At stop – minimum.

When there are switches on and off from the room regulator and it operates with optimisation (5-60 min.), the heating water adjustment becomes:

- At start – increase starts, as the maximum assigned temperature value is reached at the end of the optimization time, only in case there is no stop occurred during this period.
- At stop – decrease starts, as the minimum assigned temperature value is reached at the end of the optimization time, only in case there is no start occurred during this period.

5.7. TEMPERATURE AND SECURITY RESTRICTIONS

When managing the pellet burner series Bisolid GP xx_B hc> it is necessary to consider the following temperature and security limitations:

- Minimum assignment for inlet water temperature.
- Maximum assignment for inlet water temperature.
- Water freezing protection.
- Boiler overheating and „back-fire” protection.
- Circulations pump blocking protection.



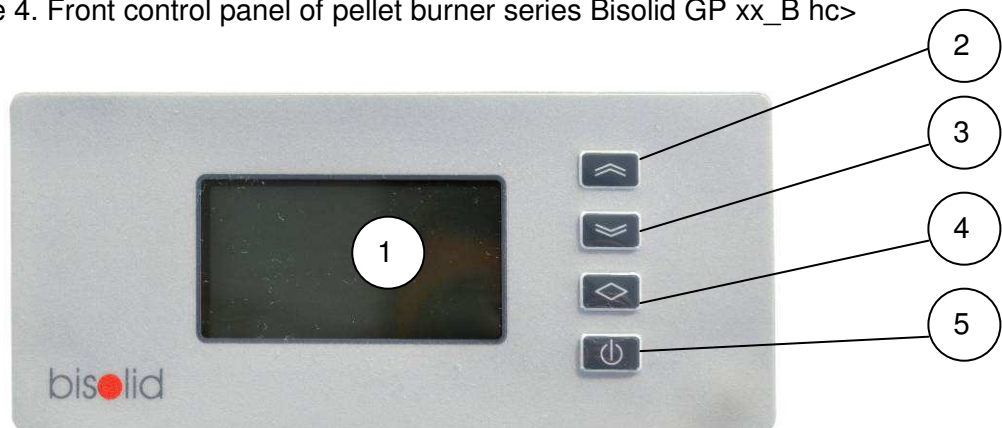
Water freezing protection – starts the burner when the temperature is below 5 °C. Boiler overheating and „back-fire” protection – input signal from the blocking thermostat, and when the signal contact is opened the burner stops. Circulations pump blocking protection – drives/rotates the pump for 5 minutes, in case it has not been operating for at least 24 hours.

The minimum and the maximum assignment of the heating water temperature determinate the limits of the supplied water to the premises. (See "Service Settings").

5.8. FRONT CONTROL PANEL OF THE PELLETT BURNER


The front control panel is presented in Figure 4 – intuitive LCD display of pellet burner series Bisolid GP xx_B hc>.

Figure 4. Front control panel of pellet burner series Bisolid GP xx_B hc>



1. Front panel indication – intuitive LCD display.
2. Changing button “next” / or manually switching on/off the pellets transport auger (if holded for 5 sec. together with additionally known conditions described below).
3. Changing button “back”.
4. Button for enter / exit from programming mode (user settings), switch ON / OFF (if holded for 5 sec).
5. Button ON / OFF.

In the basic state the display shows the following parameters:

1. Time and day of the week.
2. Execution of weekly program N
3. Stop / Start / Burn - performed procedure.
4. Current exploited power.
5. Indicator cleaner work / entry into cleaning.
6. Indicator ignitor operation  or alarm.
7. Indicator work auger blinks in manual switching.
8. Indicator working fans.
9. Indicator working pump.
10. Tr - room temperature (assignment) / To-inside temperature (curve) / Rth-room thermostat / when not press a button, information about the current operation.
11. Tfg - temperature flue gas (assignment).
12. Fire - light sensor (assignment).
13. Tb - water temperature.

5.9. OPERATION (FUNCTIONING) OF THE PELLET BURNER



In this part of the operation manual is presented information only for the users. The information for servicing specialists is presented separately.

The controller of the pellet burner is switching on and off by pressing and holding the button **ON / OFF**. When the burner is switched off then appears **"Stopped"**.

In the off position when on the display shows one of the above messages by pressing and holding for about 10 seconds on the button „✓” can be switched on and off in manual way pellet auger with aim filling when the auger is empty.



Before manually switching on of pellet burner you have to verify that the burner is burnt out.

With buttons „↑” or „↓” scroll until on the display is shown the menu with the desired parameters, then press „✓”:

- For choice of settings, scroll move the cursor „*” with buttons „↑” or „↓” to make change and return to choice of settings press button „✓”.
- The setting which changes starts to blink, with buttons „↑” or „↓” you can change the net value.
- After completing the settings, select „EXIT” and press button „✓” to save the changes.



The controller (the pellet burner) can be switched on or off by the front panel or by the remote control electrical input. The remote control input is usually connected to a START key with two resistant positions. **WE RECOMMEND THAT THE BURNER IS SWITCHED ON OR OFF BY THIS START KEY!** The controller switches off no matter which source sends **STOP** command, but can be switched on only when there is **START** command on both places.

5.9.1. USER'S SETTINGS

User's Settings	
*Troom set	22°C
Fire set	50%
Tfg set	80°C
Tpump set	40°C

User's Settings	
time&d	08:30 Fr
Language	Eng
EXIT	

Table 3. Parameters of pellet burner user's settings

NAME	DESIGNATION	LIMMITS	FACTORY SETTING
Assignment for:			
Water temperature (manual)	Tb set	Tmin – Tmax °C	80 °C
Room temperature	Troom set	5 – 35 °C	22 °C
Room thermostat -optimisation	Rth delay	0 – 60 min	0
Temperature region (depends on „Type control”)	region	-20 ÷ 20 °C	-10 ÷ 20 °C
Assignment sensor light	Fire set	0 – 99 %	50 %
Assignment flue gases temperature	Tfg set	0 – 250 °C	40 °C
Assignment switch on pump	Tpump set	10 – 70 °C	40 °C
Current time and day	time&d	hh/mm/d	
Language	Language	Eng / Bul	Eng

5.9.2. WEEKLY TIMER

Weekly timer	
*Program	1
00:00	to 24:00
SuMoTuWeThFrSa	
EXIT	

Table 4. Parameters of weekly timer settings

NAME	DESIGNATION	LIMITS
Program number	Program	1 - 4
Interval		00:00 – 24:00
Day of the week	SuMoTuWeThFr Sa	Su – Sa (from Sunday to Saturday)



To operate the controller must be set interval to work at least one of the four programs. When set to the same start and end time of the interval program is inactive.

Switching off on weekly timer is indicated by Pr.0, at work displays the number of the relevant active program (Pr.1 - Pr.4).

5.9.3. INFORMATION ON ALARM MESSAGES

The presence of an alarm message on the pellet burner is indicated by an icon .

Alarm	
No Fire	OK
Low Tb	OK
In BT	OK
Air flow	OK

Table 5. Information on alarm messages

NAME	DESIGNATION	CONDITION	RECOVERY
No flame	No Fire	OK / Err	Switch off and on
Danger of frost	Low Tb	OK / Err	Increasing of temperature
Overheat (activated blocking thermostat)	In BT	OK / Err	Switch off and on
No airflow (device for flow)	Air flow	OK / Err	Switch off and on

OK – normal condition, **Err** – alarm message.

5.10. SERVICE SETTINGS

When using the service controller settings of the pellet burner, access is performed by a password. The password is activated again after exiting of the menu, if within 15 sec. button is not pressed.



The procedures for service settings of the pellet burner are protected by password and can be used only for trained service specialists that have additional information.

5.10.1 COMMON SETTINGS

Common Settings	
*Tb lim	15 – 80 °C
Zone reg	10 °C
Type control	1
Flame sensor	0

Common Settings	
*Lose AC Restore	0
FC_delay	5
Troom his	3°C
EXIT	

Table 6. Parameters of pellet burner common settings

NAME	DESIGNATION	LIMMITS	FACTORY SETTING
Water limmits	Tb lim	5 – 90 °C	15 – 80 °C
Zone regulation	Zone reg	5 – 30 °C	10 °C
Type of control mode	Type control	0 – manual 1 – room thermostat 2 – room temperature 3 – outside temperature	1
Choise of flame sensor	Flame sensor	0 – photo 1 – flue gases	0
Recovery from the loss of power	Lose AC Restore	0 – “Stop” 1 – “Burn”	0
Delayed of the reaction of the flow sensor	FC delay	1 – 240 s	30
Hysteresis room temperature	Troom his	1 – 3 °C (type control 2)	3

5.10.2 IGNITION SETTINGS

Ignition	
*Load	90 s
Blowing	2m
Fire time	8 m
Preheat	100 s

Ignition	
*Fan1	48 %
Fan 2	100 %
Inflame	120 s
EXIT	

Table 7. Parameters in pellet burner ignition settings

NAME	DESIGNATION	LIMMITS	FACTORY SETTING
Time for loading	Load	2 – 480 s	90 s
Blowing	Blowing	0 – 10 m	2 m
Time for the emergence of flame	Fire time	1 – 15 m	8 m
Preheating	Preheat	0 – 180 s	100 s
Fresh air fan	Fan1	20 – 100 %	48 %
Flue gases fan	Fan2	20 – 100 %	100 %
Time for fuel heated	Inflame	60 – 600 s	120 s

5.10.3 SETTINGS IN BURN MODE

Min<Burn>Max	
*Load	2 - 8s
Pause	14 - 14s
Fan1	48 - 100%
Fan2	48 - 100%
EXIT	

Table 8. Parameters of pellet burner settings in burn mode

NAME	DESIGNATION	LIMMITS	FACTORY SETTING
Time for loading	Load	1 – 240 s	2 – 8 s
Time for burning	Pause	1 – 240 s	14 – 14 s
Fresh air fan	Fan1	20 – 100 %	48 – 100 %
Flue gases fan	Fan2	20 – 100 %	48 – 100 %

5.10.4 SETTINGS IN STOP MODE

<p style="text-align: center;">Stop settings</p> <p>*Burn out 5 m</p> <p>Clean on 6 h</p> <p>Cleaner move 3 s</p> <p>Cleaner cycle 1</p>	<p style="text-align: center;">Stop settings</p> <p style="text-align: center;">EXIT</p>
--	--

Table 9. Parameters of pellet burner settings in stop mode

NAME	DESIGNATION	LIMITS	FACTORY SETTING
Time for afterburning	Burn out	0 – 15 m	8 m
Time for cleaning	Clean on	0 – 24 h	6 h
Moving of cleaner	Cleaner move	1 – 99 s	3 s
Number of cleaner cycles	Cleaner cycle	1 – 3	1

5.11. SMS COMMANDS

GSM module is offered as an option, it connects to "CON7" the board with indication. When the module is available, display shows the symbol for GSM. SMS commands must be in Latin characters, as assuming only large or only small letters.

Example: BSTOP and bstop – correct, Bstop – wrong.

Table 10. Description of GSM commands for pellet burner control

NAME	DESIGNATION	ACTION
Stop pellet burner	BSTOP	Burner stops – the same like with button ON / OFF
Start pellet burner	BSTART	Burner starts – the same like with button ON / OFF
Current condition	BINFO	Send SMS with the current condition
Telephone in an emergency	BPHONE	Recorded phone from which the message is sent if there is no flame, no air flow or the blocking thermostat is activated and sends alert

BSTOP and BSTART commands have the same effect as a button **ON / OFF**, as in switch on condition is executed the set weekly program.

In an emergency, if no recorded number is checked for the last sent SMS and if it is missing and he is not sent alert.

During the receiving of SMS command is returning SMS response to the number from which the command is received.

5.12. CONNECTING THE PELLETT BURNER TO THE ELECTRICAL POWER SUPPLY

When connecting the pellet burner series Bisolid GP xx_B hc> to the electrical power supply installation it is necessary to have in mind the following technical characteristics (Table 11).

Table 11. Pellet burner technical characteristics

DESCRIPTION	CHARACTERISTIC
Supply voltage	~230V; 50Hz
Ignition element output	~230V; 0.3kW
Circulations pump output	~230V; 0.35kW
Fans output (3 pices)	~230V; 0.25kW
Fuel transport auger output	~230V; 0.25kW
Cleaner supply voltage	24V DC
Reversible cleaner output	24V/4A
Heating water sensor	Pt 1000 (-50 to +250 °C)
Flue gases sensor	Pt 1000 (-50 to +250 °C)
Flame detecting sensor	Phototransistor
Room thermostat input	Independent contact
Flow sensor input	Independent contact
Measuring range	50 +350 °C
Measurment dimension	1 °C
Humidity	Up to 80.0%
Degree of protection	IP20



All works and activities with regards to connecting the pellet burner to the power supply system must be performed by certified trained person.



The pellet burner must be connected to the electrical installation of the appliance to which it is attached, by observing the safety technique rules.

5.13. WARRANTY AND WARRANTY CONDITIONS

We pay attention to customers that initializing into operation and technical servicing of all pellet burner series Bisolid GP xx_B hc> must be performed by specialized installation company. Otherwise any eventual warranty claims will not be accepted. Warranty issues must be claimed just after the defect has been discovered. The manufacturer reserves the right to make changes, related to the product technical optimization. The warranty period is presented in the pellet burner's warranty card, which is its main belonging and is determined by the precise observation of the instructions in the current manual for installation, operation and maintenance. The Buyer has to issue a warranty claim in written form and present it to the Seller or to an authorized servicing company.

5.14. PELLET BURNER PACKAGE KIT AT DELIVERY

All wood pellet burner series Bisolid GP xx_B hc> are delivered fully assembled and functionally tested.

The main pellet burner accessories are:

- | | |
|---------------------------------------|-------|
| ▪ Installation and operation manual | 1 pc. |
| ▪ Warranty card | 1 pc. |
| ▪ Main module with combustion chamber | 1 pc. |
| ▪ Isolation | 1 pc. |
| ▪ Fuel transport auger | 1 pc. |

Spare parts and accessories for the pellet burners can be ordered to the servicing technician who performed the installation or directly to the supplier.

5.15. PELLET BURNER CLEANING

When the pellet burner operates continuously ash and/or slag gather over the surfaces of the fire-grate, located in the burner's combustion chamber, and decrease the appliance efficiency. The accumulated ash or/and slag quantity depend mainly on the operation modes of the appliance and the type of used fuel.

Cleaning of the pellet burner series Bisolid GP xx_B hc> has to be performed according to the necessity and operation conditions, but at least from once per week to one per day.



The number and frequency of cleaning of the burner depend largely on the quality of the wood pellets. Fuel is necessary to meet the standard EN ISO 17225-2:2014, class A1.

Figure 5 and Figure 6 present description of the sequence of actions in manually mechanical cleaning of the burner series Bisolid GP xx_B hc>.

Figure 5. Description of actions in manually cleaning of the burner

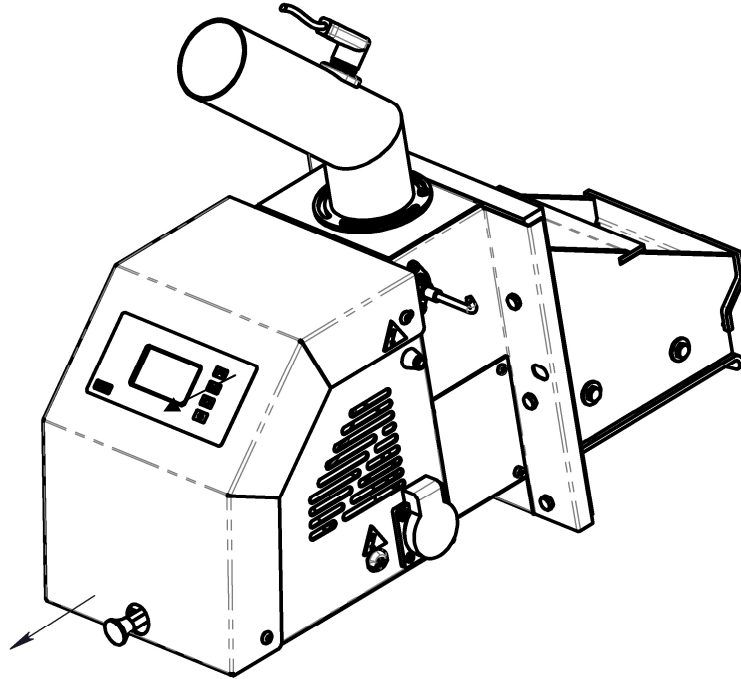
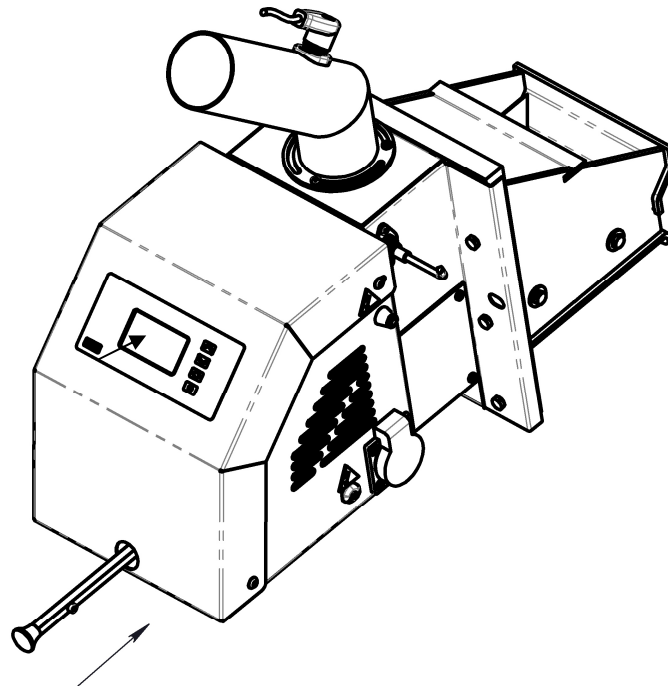


Figure 6. Description of actions in manually cleaning of the burner



1. The handle of the cleaning mechanism of the burner is pulled back until it stops moving as shown in Figure 5.
2. The handle is moved forward until it stops moving as shown in Figure 6.
3. This action is repeated 2 to 3 times for the complete cleaning of the fire-grate, once per a day.



The handle of the cleaner should be in extremely retracted position to the burner to allow the pellet burner to operate normally.

The pellet burner series Bisolid GP xx_B hc> is cleaned in the following cases:

- During the operation of the pellet burner:
 - The pellet burner can be cleaned and at its operation. In this way of cleaning is discarded small dose unburned fuel, but the advantage is that there is no need any waiting time, i.e., cleaning can be done immediately on the customer request. The burner is programmed to continue working after this type of cleaning.
- Cleaning of the pellet burner without interrupting the operation of the device:
 - When a device does not operate assigned to it by the program, for example daily or weekly thermostat.
 - When a device does not operate and is in standby mode due to the achieved temperature.
- When the pellet burner is switch off:
 - When a device is switched off by the user, it is necessary waiting for the complete combustion of residual fuel according to the parameters listed in Table 9.



The cleaning of the pellet burner, which is carried out from outside with the help of the mechanism for cleaning, does not require protective equipment.

5.16. PELLET BURNER SERVICING

The regular pellet burner servicing by the user guarantees efficient, economic and reliable operation of the appliance.

The user has to periodically, at least once per day or longer, depending on the fuel ash content, but no longer than five days of operation, to switch off the burner. This measure guarantees effective after-burning of the fuel and combustion chamber cooling.

After the pellet burner cools down the ash and/or slag must be cleaned from the combustion chamber fire-grate. The flexible pipe connecting the fuel transport auger and the burner fuel inlet pipe must be cleaned from dust at least once per week.

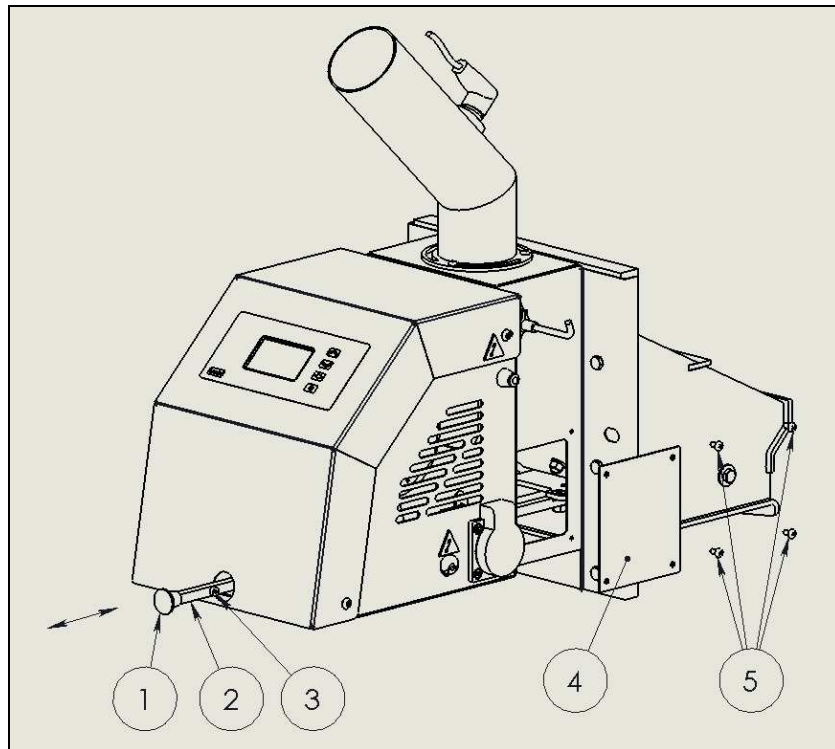


Dust depositing on the flexible pipe walls can lead to distortion of the fuel feeding, igniting the dust as a result of emergency situation, in consequence of which hot flue gasses might pass through it.

5.16.1. BASIC AND PERIODIC CLEANING OF PELLET BURNER

Figure 7 presents the way of basic or periodic cleaning of pellet burner from series Bisolid GP xx_B hc>.

Figure 7. Basic or periodic cleaning of pellet burner from series Bisolid GP xx B hc>



The basic or periodic cleaning of the equipment is carried out in completely cooled pellet burner.

The sequence of actions in primary and periodic cleaning of the pellet burner series Bisolid GP xx_B hc> (see Figure 7) is as follows:

1. Pull the handle 1 back. Unscrew and remove the handle 1 and screw 3. Push the rod all the way forward 2 and remove the fire grate from the burner. You must have access to the combustion chamber of the burner.
2. Unscrew the screws 5 (4 pieces) and remove the cover 4.
3. Using vacuum cleaner with placed suitable nozzle, clean the space under and behind the pellet burner fire grate.

The assembly of components and parts of the burner after cleaning is done on the way back.



It is necessary that the user is fully introduced with the information presented in the current operation manual, in connection with the pellet burner operation, its control and servicing.

6. INSTALLATION INSTRUCTIONS FOR PELLET BURNER SERIES BISOLID GP XX_B HC>

6.1. PELLET BURNER INSTALLATION – COMMON INFORMATION

The wood pellet burner series Bisolid GP xx_B hc> must be installed only by specialized company, authorized for such activities. The pellet burner installation must be performed depending on the solid fuel hot water boiler type from Bisolid series, the preliminary designed project and acting legal provisions.

The existing networks of authorized service organizations comply with these conditions and are able to take responsibility for all pellet burners Bisolid GP xx_B hc> (GP 20_B18 hc>, GP 25_B hc> и GP 32_B hc>) installations, their initialization in operation and warranty repairs.

Installation of the pellet burner must comply with the acting regulations and directives as well as to the operation and installation manual. The manufacturer is not responsible for failures or damages caused by unqualified installation.



The pellet burner series Bisolid GP xx_B hc> must be connected to the power supply only by qualified authorized person.



All problems (failures) caused by incorrect installation of the pellet burner are not covered by the pellet burner's warranty cards.

6.2. CHOOSING A PELLET BURNER

The choice of suitable pellet burner series Bisolid GP xx_B hc> is necessary to be made accordingly to the heating output of the different types and models hot water boilers Bisolid. The correctly chosen pellet burner used for installation to the mentioned hot water solid fuel boilers guarantees economic and optimum operation of the system boiler – burner.

The choice of pellet burner with too high nominal heating output, compared to the boiler's output, leads to increased consumption and fuel expenses.

The choice of pellet burner with much lower nominal heating output, compared to the boiler's output, leads to impossibility for reaching the boiler's nominal parameters and low efficiency

6.3. POSITIONING OF THE PELLET BURNER

The pellet burner series Bisolid GP xx_B hc> can be installed on hot water boilers, which are positioned in uninhabitable premises (for example boiler room, basement).

The pellet burner and boiler room must have constant fresh air intake, needed for the burning process. The air has to be clean, without halogen hydrocarbons, corrosive vapors and should not be too wet and dusty. The room must be protected against freezing, with ambient temperature in the range from +5°C to +35°C and with no more than 80% relative humidity of the air.

Safe 200 mm distance must be kept in the cases when the flammability level of the material is unknown. The same safety distance must be kept also for domestic objects, flammable materials and fuels situated in the room, where the burner is positioned.



Do not put flammable materials over burner's main module top side or near it within the safety distance.

The main module of the pellet burner series Bisolid GP xx_B hc> must be installed in horizontal position towards a suitable solid fuel hot water boiler. The pellet burner position has to be considered so it can provide its reliable operation, easy cleaning, handling and servicing. Correct positioning during the pellet burner installation guarantees reliable and efficient parallel operation of the burner and the hot water boiler.

The fuel transport auger must be installed near to the already installed pellet burner, in order to secure its good connection, through the flexible pipe, with the burner's main module fuel supply pipe.

About the positioning of the fuel transport auger we recommend that the angle between the horizontal plane and the auger center axis is 45°. By this way an optimum operation of the auger motor and the burning process will be guaranteed.



If the fuel transportation auger's angle changes, then the wood pellet consumption changes respectively depending on the pellet burner heating output.

When the fuel transportation auger's angle decreases, then the wood pellet consumption increases and respectively the pellet burner heating output increases. When the fuel transportation auger's angle increases, then the wood pellet consumption decreases and respectively the pellet burner heating output decreases.

The fuel transport auger and the wood pellets hopper, where it is located, positions are recommended to be situated in a way that provides easy access to the pellet burner, for the purposes of adjustment, cleaning and servicing.

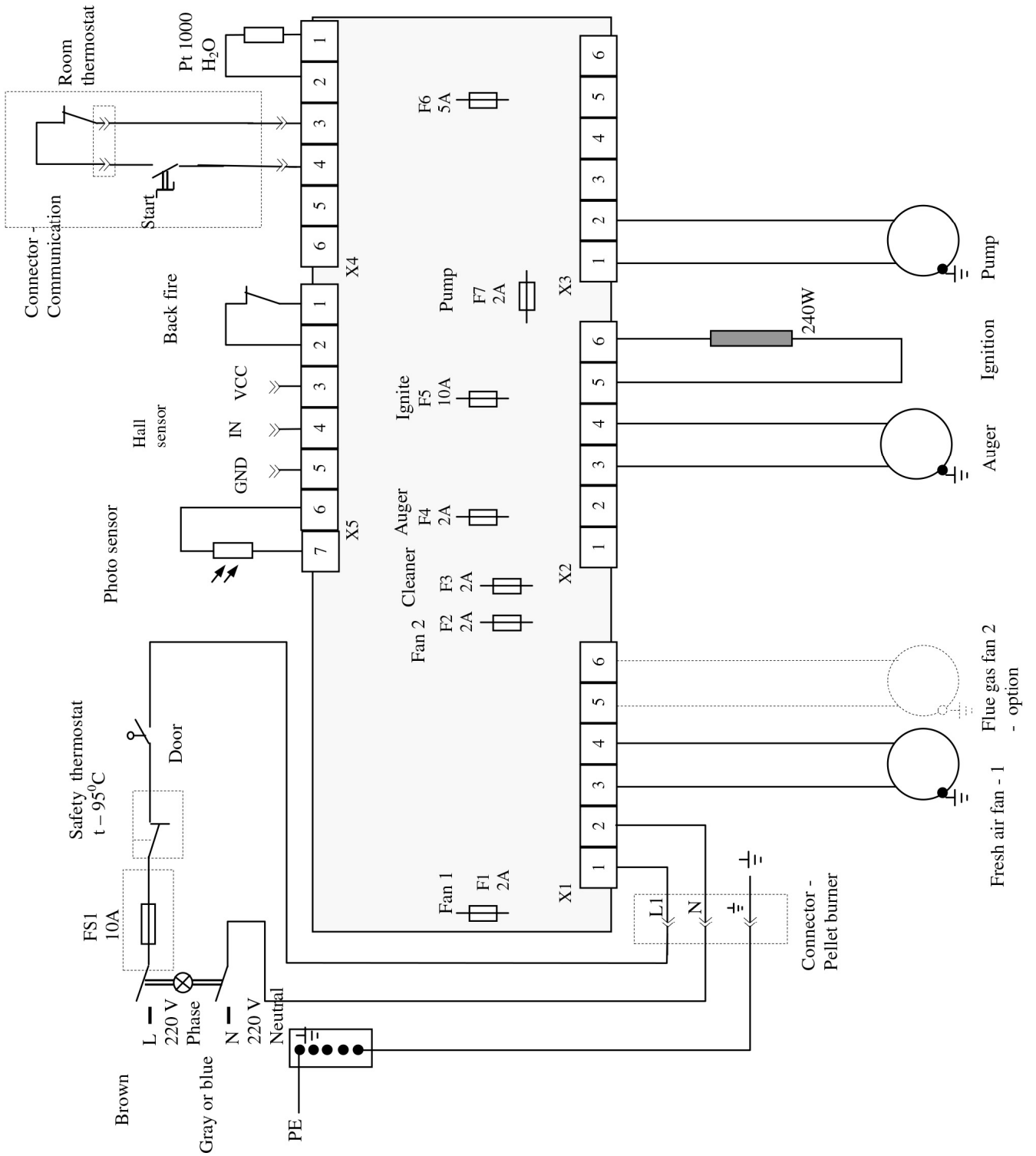
6.4. TRANSPORTATION AND STORAGE

The pellet burners for expedition are offered by the manufacturer in carton packages and are secured against moving. The pellet burners can not be transported in position different from their base (normal operating position).

During transportation and storage the pellet burners packages and cover panels should not be pressed.

7. PELLET BURNER WIRING DIAGRAM

Figure 7. Wiring diagram of the pellet burner



8. TROUBLESHOOTING

The burner is installed on a heating boiler, but the temperature in the rooms is low.	Insufficient heating output.	It is necessary to increase the burner's heating output level.
	Low assigned water temperature.	It is necessary to increase the water temperature assignment. It is also necessary to check the circulation water assignment, adjusted in the burner controller.
	Low assigned temperature by the room thermostat (if connected).	It is necessary to increase the temperature assignment by the room thermostat.
The burner is installed on a heating boiler and the temperature in the rooms is high.	Heating output, exceeding the heat consumption.	It is necessary to decrease the burner's heating output.
	High adjusted temperature.	It is necessary to decrease the assigned value (recommended decrease to minimum 60°C) or the assigned circulation water temperature, defined in the controller.
	High assigned temperature by the room thermostat (if connected).	It is necessary to decrease the temperature assignment by the room thermostat.
The burner is switched on, but there is no burning process.	There is no assignment for operation.	Check the operation assignment from the burner control module.
Difficult fuel ignition.	The used wood pellets are with low quality.	It is necessary to change the pellets, as possibly their water content is higher than the normal needed for the burner operation.
The fuel ignition is accompanied by untypical noises.	Insufficient chimney draught.	It is necessary to check the chimney and the appliance condition, to which the burner is installed and to clean the ash deposits. After cleaning is possible to adjust the burner operating parameters – ask for service assist.
Hot water boiler overheating – to which the burner is installed.	Lack of heating load or incorrect heating output adjustment of the boiler and the burner.	It is necessary to check the correct operation of the system boiler-burner and eventual adjustment of the operating parameters – to be performed by a specialist. After boiler cooling and failure removal the emergency thermostat has to be deactivated (unscrew protection cover, press the button and screw the cover again). Start the burner by restarting it.
Fuel does not ignite.	No wood pellets in the fuel hopper.	The fuel hopper, from which the transport auger takes fuel, must be refilled.
	No fuel in the burner combustion chamber.	The process of initial firing can be renewed by restarting the burner.
	Presence of fuel over the burner fire-grate, but is not fired or it is burned and there is still lack of burning process.	Clean the gathered fuel over the burner fire-grate. If the ignition heating element is out of order or inactive, then it must be replaced.
	Incorrect operation of the photo-sensor used for burning process	The photo-sensor used for burning process monitoring must be adjusted

INSTALLATION, OPERATION AND MAINTENANCE MANUAL

	monitoring.	or replaced – to be performed by servicing specialist only.
The burner does not start or stops operation.	No power supply.	Check if the burner display and its indication operate. Check working order of the appliance power supply, to which the burner is installed and powers it with voltage 230 VAC, 50 Hz – to be performed by servicing technician. Check burner correct wiring, according to the presented wiring diagram. Check for loose electrical connections – to be performed by servicing technician.
	No start signal to the burner.	Check if the burner has received start signal and if the module, providing signal for operation to the burner, wiring is in working order – to be performed by servicing technician. Check for loose electrical connections. Check the working order of the burner operation control module, which provides voltage and necessary signals.
	The burner does not operate even if there is operation signal.	Check for activated emergency alarm – check the list with alarm modes and indications of the controller, presented in the next table.
	Blown fuses.	To be performed by servicing technician: check the fuses condition and if there is necessity for replacement, then change the fuses with the same corresponding parameters (Warning: the fuses are fast-reacting).
The flame from the burning process is “dim” and the chimney smokes much.	Wood pellets with low quality.	It is necessary to change the pellets, as possibly their water content is higher than the normal needed for the burner operation.
	Unsuitable adjustment of the burner parameters.	Adjustment of the appliance operating parameters is necessary – to be performed by specialist.
The burner starts but it can not reach to stabilized condition.	Incorrectly positioned photo-sensor.	Change the photo-sensor, used for burning process monitoring, position by rotating it around its longitudinal axis.
	The photo-sensor surface is dirty.	Clean the dirt carefully.
	The photo-sensor is damaged – there are burnout traces on its surface.	It is necessary to replace the photo-sensor with new one – ask for service assistance. Reason – incorrect burner switch off.
Unstable operation of the burner.	Photo-sensor failure.	Check photo-sensor working order.
	Controller operation settings are changed.	Check the burner heating output level setting. Check the controller settings – to be performed by servicing technician.
Excess heating of the burner’s pellet inlet pipe.	Insufficient chimney draught or presence of dirt.	It is necessary to clean the appliance and the chimney if necessary. Possible solution is to install flue gas extractor fan or/and change the chimney.

INSTALLATION, OPERATION AND MAINTENANCE MANUAL

Heating of the burner's pellet inlet pipe and emergency thermostat activation.	Low chimney draught or the appliance is contaminated with dust particles.	It is necessary to clean the appliance and the chimney, if necessary. It is necessary to restart the burner. Possible solution is to install flue gas extractor fan or/and change the chimney line.
Dirty and/or melted photo-sensor.	Incorrect burner switching off.	It is necessary to clean the photo-sensor surface or to replace it with new one. It is necessary to observe the burner switch off procedure, presented in the manual guide.
Presence of unburned fuel over the combustion chamber fire-grate.	Inefficient fuel combustion.	It is necessary to adjust the appliance operation parameters – it is necessary to ask for consultation or adjustment by authorized technician.
Slag deposits over the combustion chamber fire-grate.	The used fuel is with high ash content and does not comply with the appliance requirements.	Change the fuel with other one, complying with the burner requirements for reliable operation.
	Burner operation mode over its nominal heating output.	Decrease the burner heating output by changing its heating output level.
Failure, showed on the controller display	Problem in the burner operation.	It is possible to ask for servicing assistance/consultation.
The burner has stopped, but after new start it operates.	The photo-sensor sends wrong information to the controller.	Check the fuel quantity over the burner fire-grate. Ask for assistance for adjustment or consultation by servicing technician.
High flue gas temperature (if thermometer is installed).	Dirty heat-exchanging surfaces, depending on the appliance type and operation mode.	It is necessary to clean the heat-exchanging surfaces of the appliance.
Smoke presence in the boiler room after a period of operation.	Dirty or clogged with ash flue-gas line inside the appliance – which consumes the heat energy.	Clean the appliance from the ash deposits – which consumes the heat energy.
Failure of the device for cleaning the burner	The cleaning can not be performed correctly	What is needed is a competent consultation and / or intervention service technician
Other, not described above failures.		It is necessary to ask servicing technician for consultation or/and for his intervention.

In all other cases, the removal of eventual failures and damages must be performed by the manufacturer or by authorized servicing company.

Supplier:	
Address:	
City:	
Street:	
Tel.:	
Fax.:	
http://	

Reserved rights for technical changes!